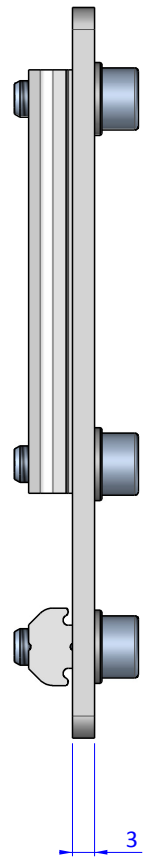
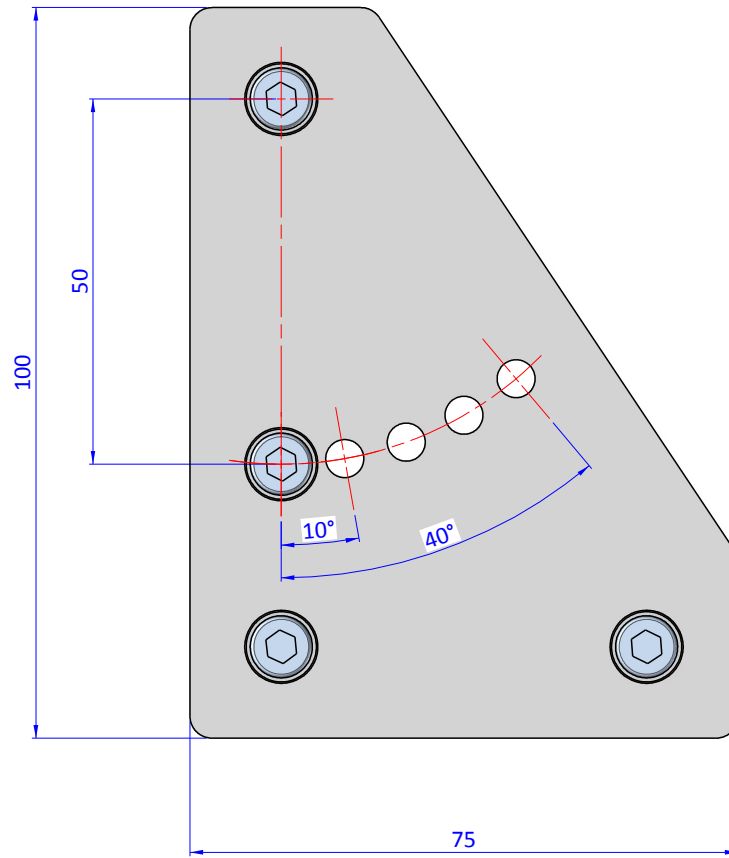
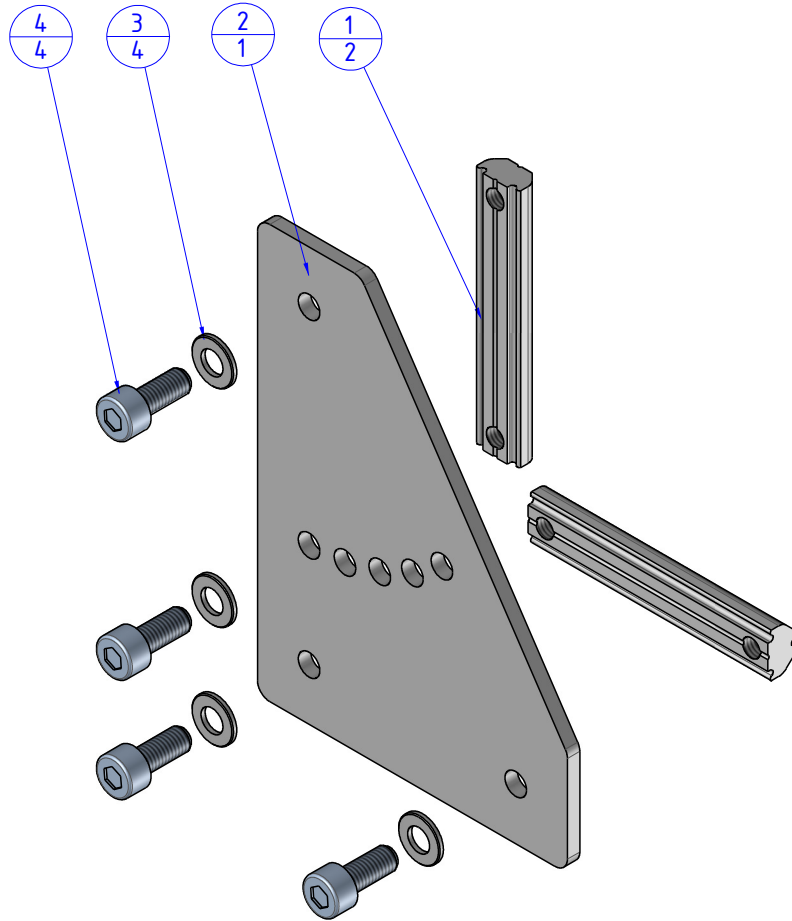


THE PROPERTY OF THE DRAWING IS ESTABLISHED BY LAW. IT IS FORBIDDEN TO PRODUCE OR SHOW IT TO THIRD PARTY, WITHOUT A WRITTEN AGREEMENT.

Item	Name	Q. ty
1	CA.GWP.5.50	2
2	EV.B.75.X	1
3	R.5	4
4	V.TCE5x12	4



Format A3

UNI 936-76

		DESIGNED FROM	REVIEW
		FP SERVICES	A / 11
GENERAL TOLERANCE	DESCRIPTION	DATE	WEIGHT
UNI - ISO 2768	CA.EVB.75.X	29/10/2018	0,193kg
CLASSE f		CODE	CA.EVB.75.X